

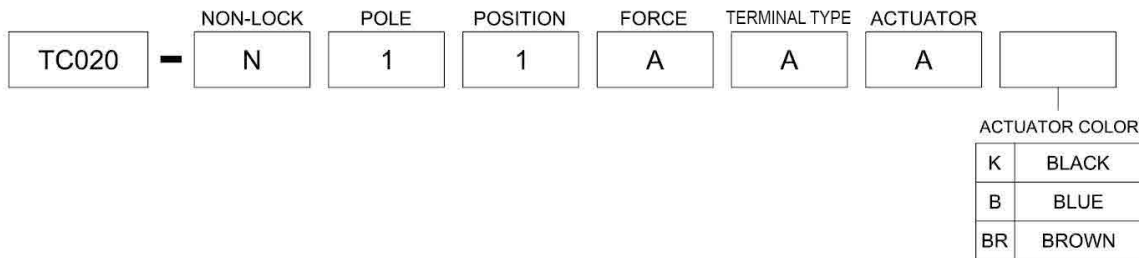
Feature :  
6x6 mm tact switch  
SMT terminal

Application :  
Consumer products  
Computer products  
Instrumentation  
Communication equipments



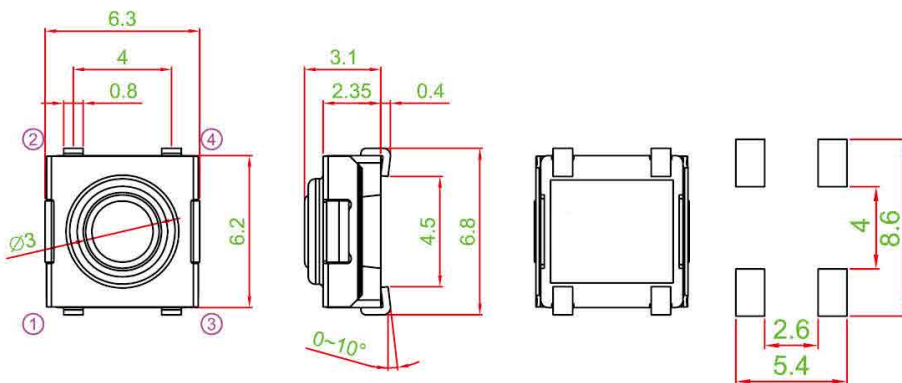
SWITCH SPECIFICATIONS	
POLE - POSITION	Momentary action , SPST
CONTACT RATING	12 V DC , 50 mA
CONTACT RESISTANCE	100 mΩ MAX. 1.5 V DC ; 0.1 A , by Method of Voltage DROP
INSULATION RESISTANCE	100 MΩ MIN. 500 V DC for 1 minute
DIELECTRIC STRENGTH	Breakdown is not Allowable ; 250 V AC for 1 Minute
OPERATING FORCE	160 ± 50 gf
OPERATING LIFE	500,000 cycles
OPERATING TEMPERATURE RANGE	-40°C ~ 85°C
TOTAL TRAVEL	0.2 ± 0.1 mm

### HOW TO ORDER



### DIMENSION

• TC020-N11AAAK



### CIRCUIT

